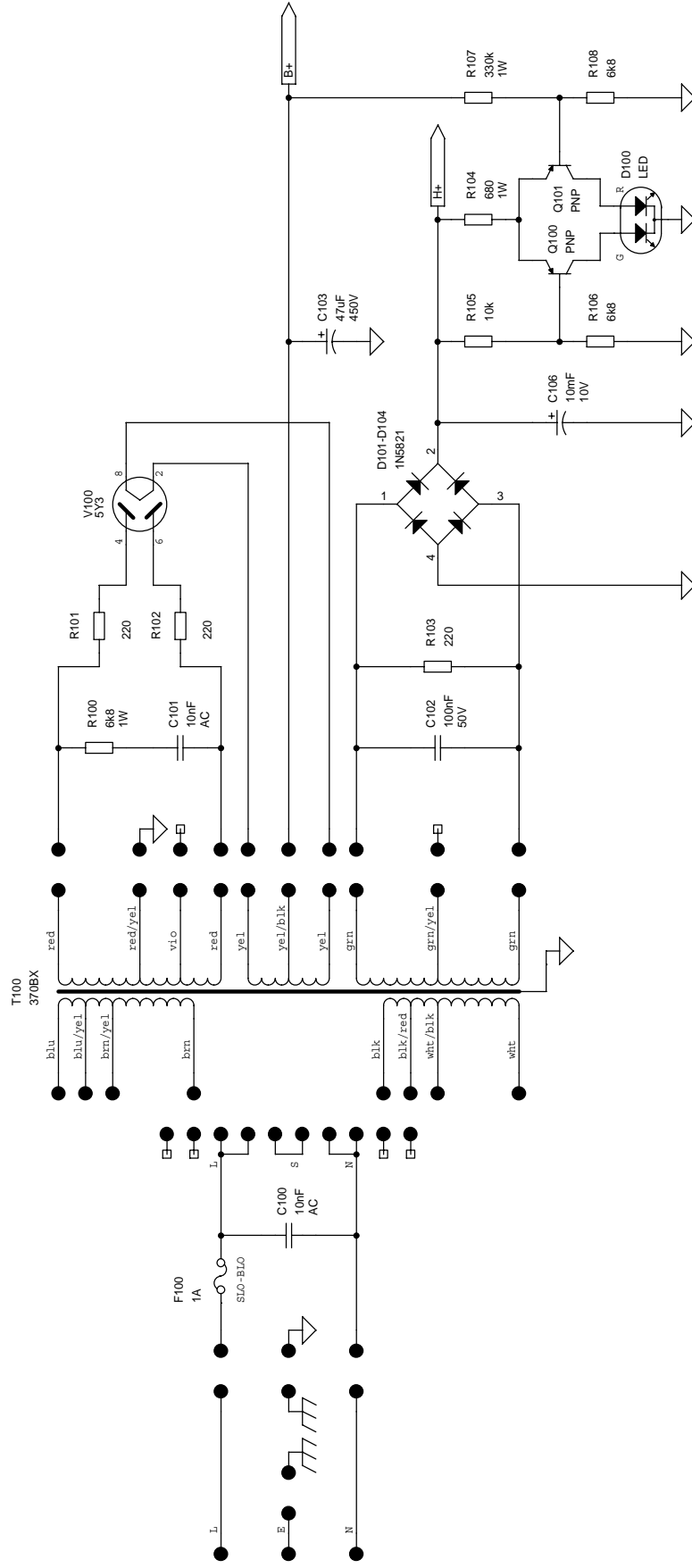


This document contains proprietary information and except with written permission of Hagerman Technology LLC such information shall not be published, or disclosed to others, or used for any purpose, and the document shall not be copied in whole or in part. Copyright Hagerman Technology LLC 2004. All rights reserved.



	100V	110V	120V	200V	220V	240V
Blu	NC	NC	L	NC	NC	L
Blu/Yel	NC	L	NC	NC	L	NC
Brn/Yel	L	NC	NC	L	NC	NC
Brn	N	N	S	N	S	S
Blk	NC	NC	L	NC	NC	S
Blk/Red	NC	L	NC	NC	S	NC
Wht/Blk	L	NC	NC	S	NC	NC
Wht	N	N	N	N	N	N

Hagerman Technology LLC

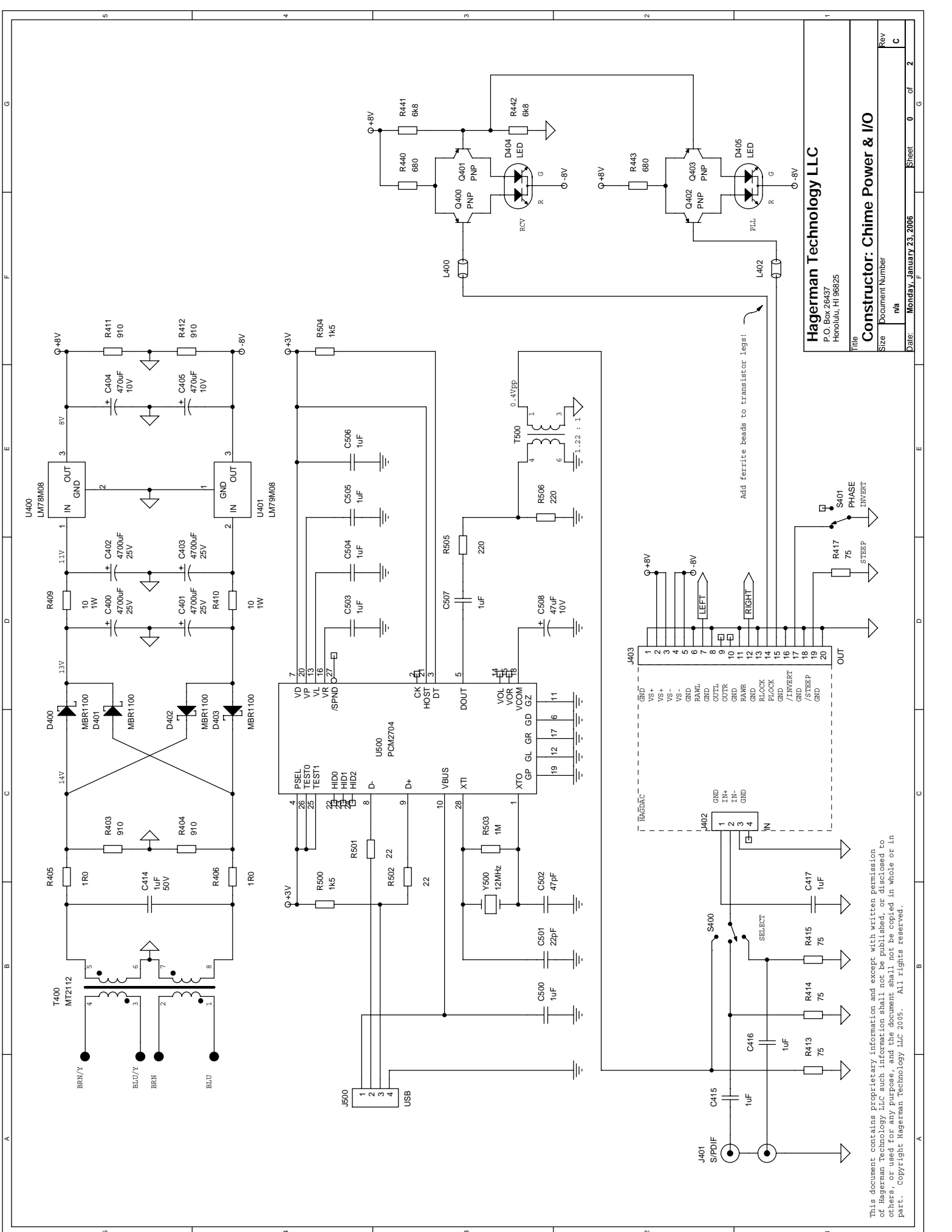
P.O. Box 26487
Hondolui, HI 96825

Title
Constructor: Powersupply

Size Document Number
na

Rev
A

Date: **Wednesday, March 30, 2005** Sheet 0 of 1



Hagerman Technology LLC
 P.O. Box 26487
 Honolulu, HI 96825

Title
Constructor: Chime Power & I/O

Size
 Document Number
 n/a

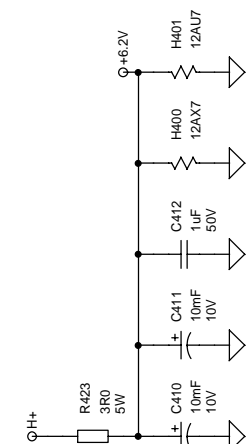
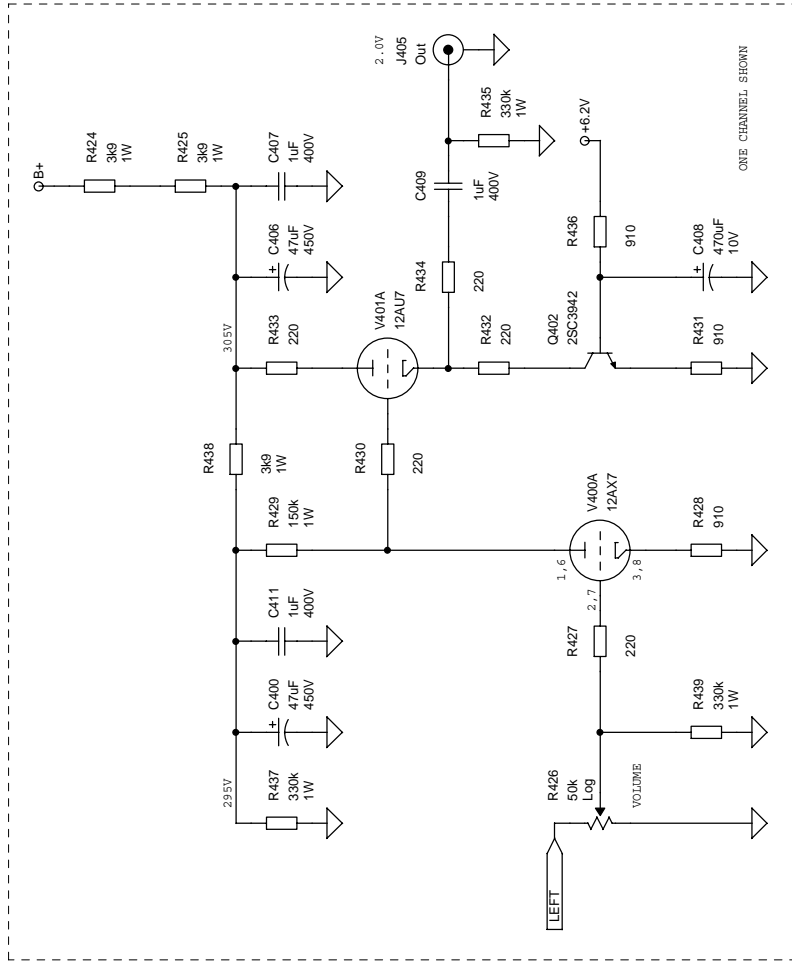
Date
 Monday, January 23, 2006

Sheet 0 of 2

Rev
 C

This document contains proprietary information and except with written permission of Hagerman Technology LLC such information shall not be published, or disclosed to others, or used for any purpose, and the document shall not be copied in whole or in part. Copyright Hagerman Technology LLC 2005. All rights reserved.

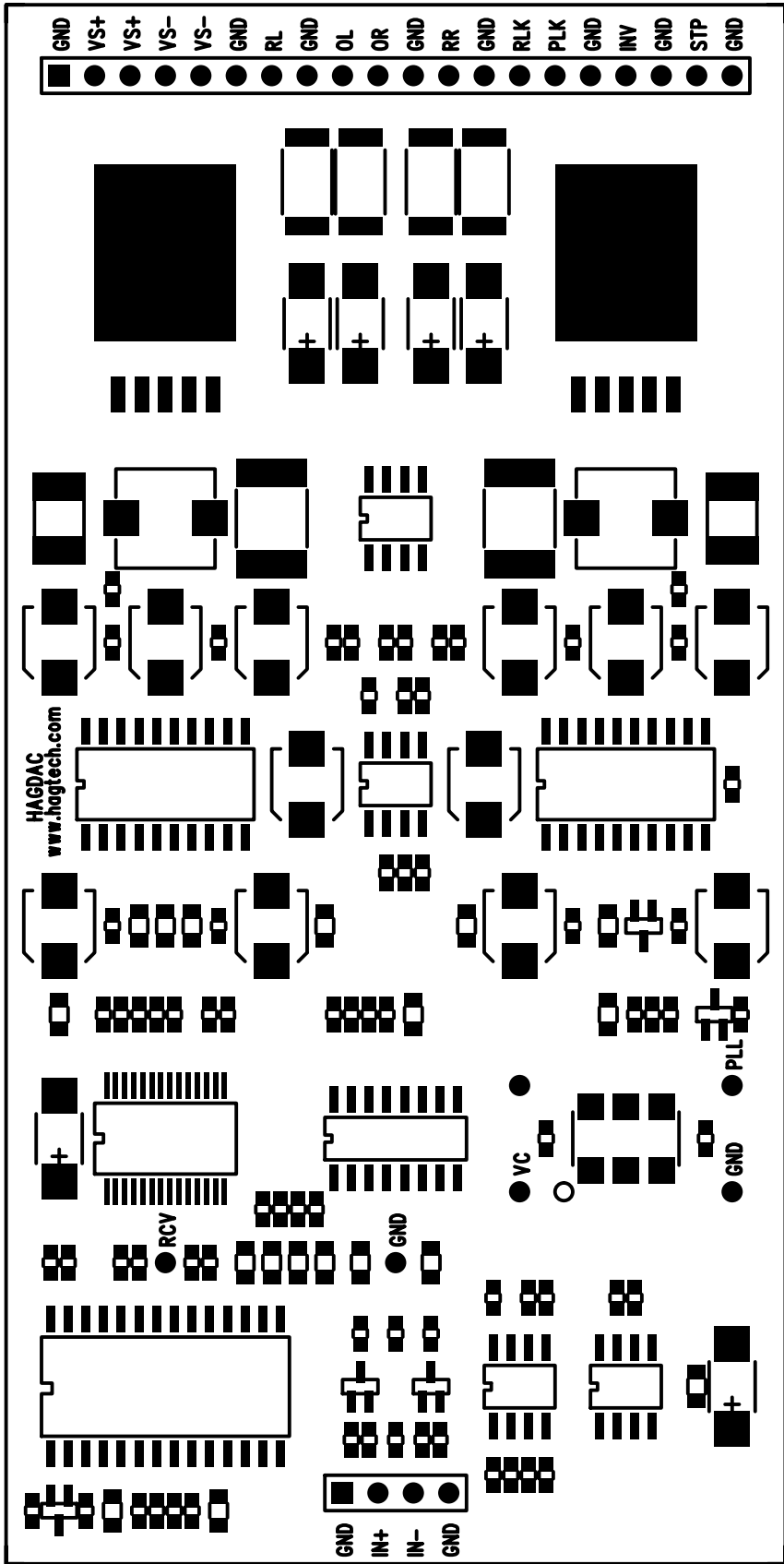
This document contains proprietary information and except with written permission of Hagerman Technology LLC such information shall not be published, or disclosed to others, or used for any purpose, and the document shall not be copied in whole or in part. Copyright Hagerman Technology LLC 2005. All rights reserved.



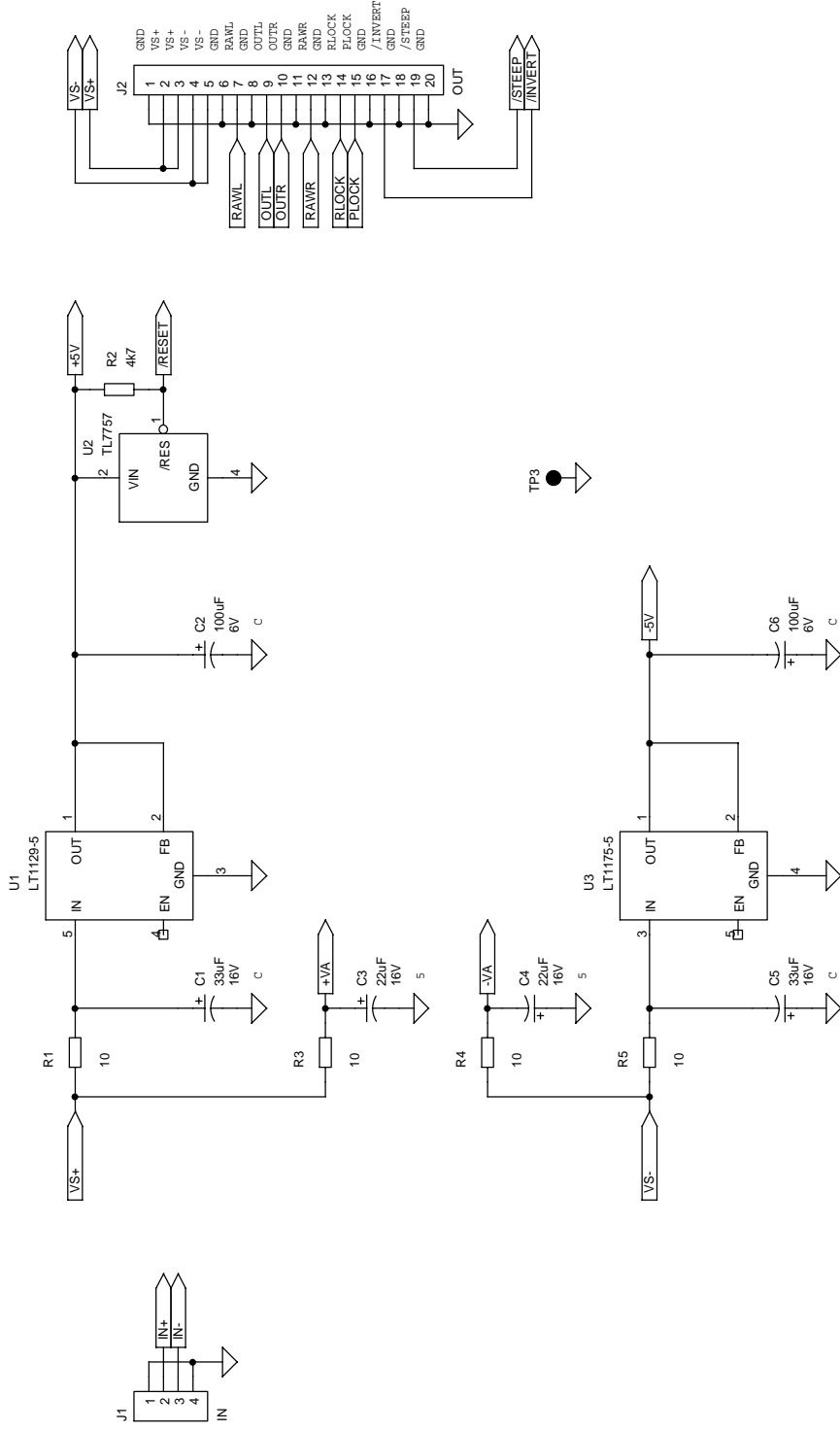
Hagerman Technology LLC
 P.O. Box 26487
 Honolulu, HI 96825

Constructor: Chime Amplifier

Title	Hagerman Technology LLC		
Size	Document Number	na	Sheet 0 of 2
Rev	C		
Date	Wednesday, July 13, 2005		

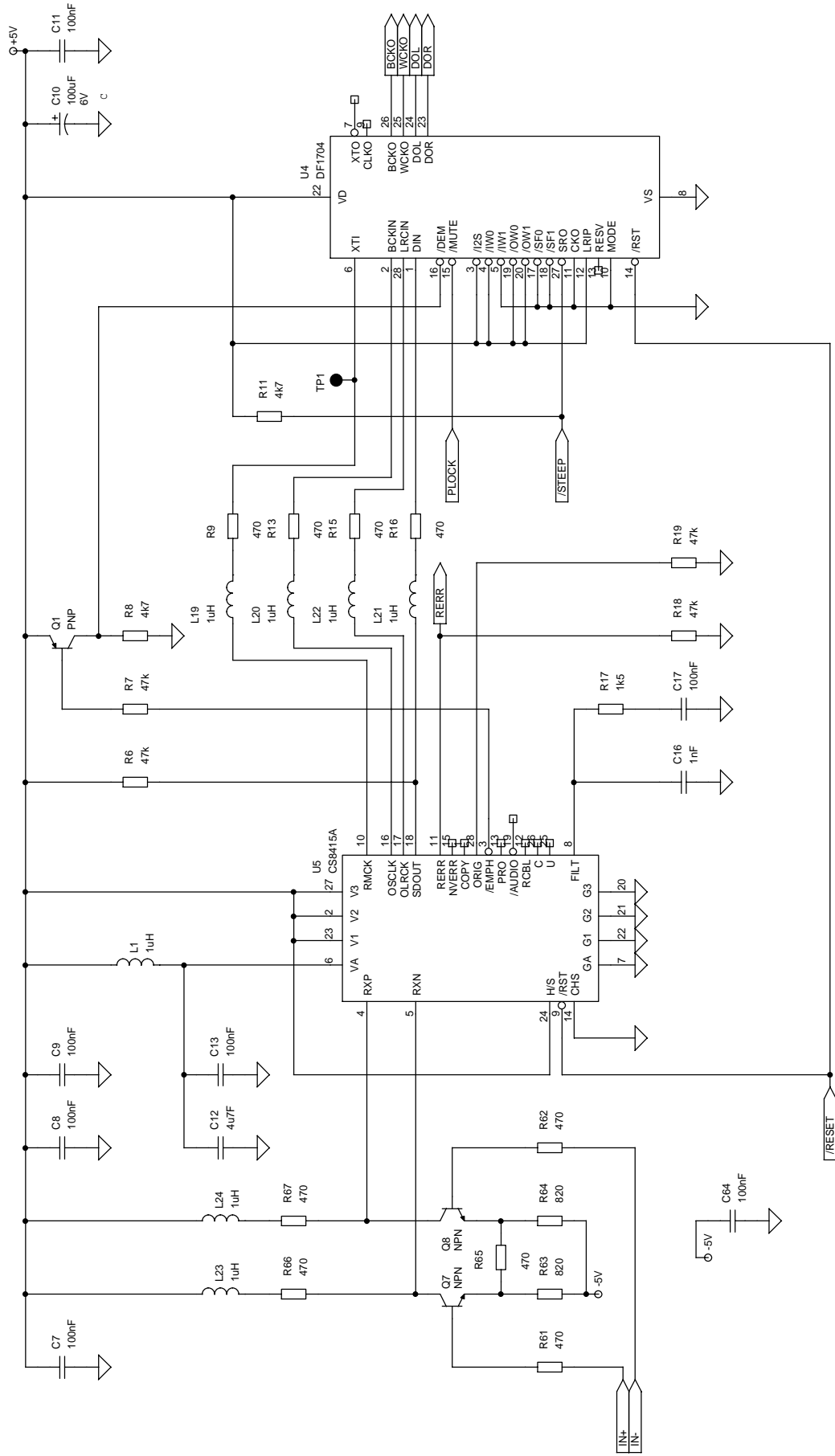


This document contains proprietary information and except with written permission of Hagerman Technology LLC such information shall not be published, or disclosed to others, or used for any purpose, and the document shall not be copied in whole or in part. Copyright Hagerman Technology LLC 2005. All rights reserved.



Hagerman Technology LLC P.O. Box 26487 Honolulu, HI 96825	
Constructor: HagDac Regulators, USB & I/O	
Title	na
Size	Document Number
Rev	C
Date:	Friday, July 15, 2005
Sheet	1 of 4

This document contains proprietary information and except with written permission of Hagerman Technology LLC such information shall not be published, or disclosed to others, or used for any purpose, and the document shall not be copied in whole or in part. Copyright Hagerman Technology LLC 2005. All rights reserved.

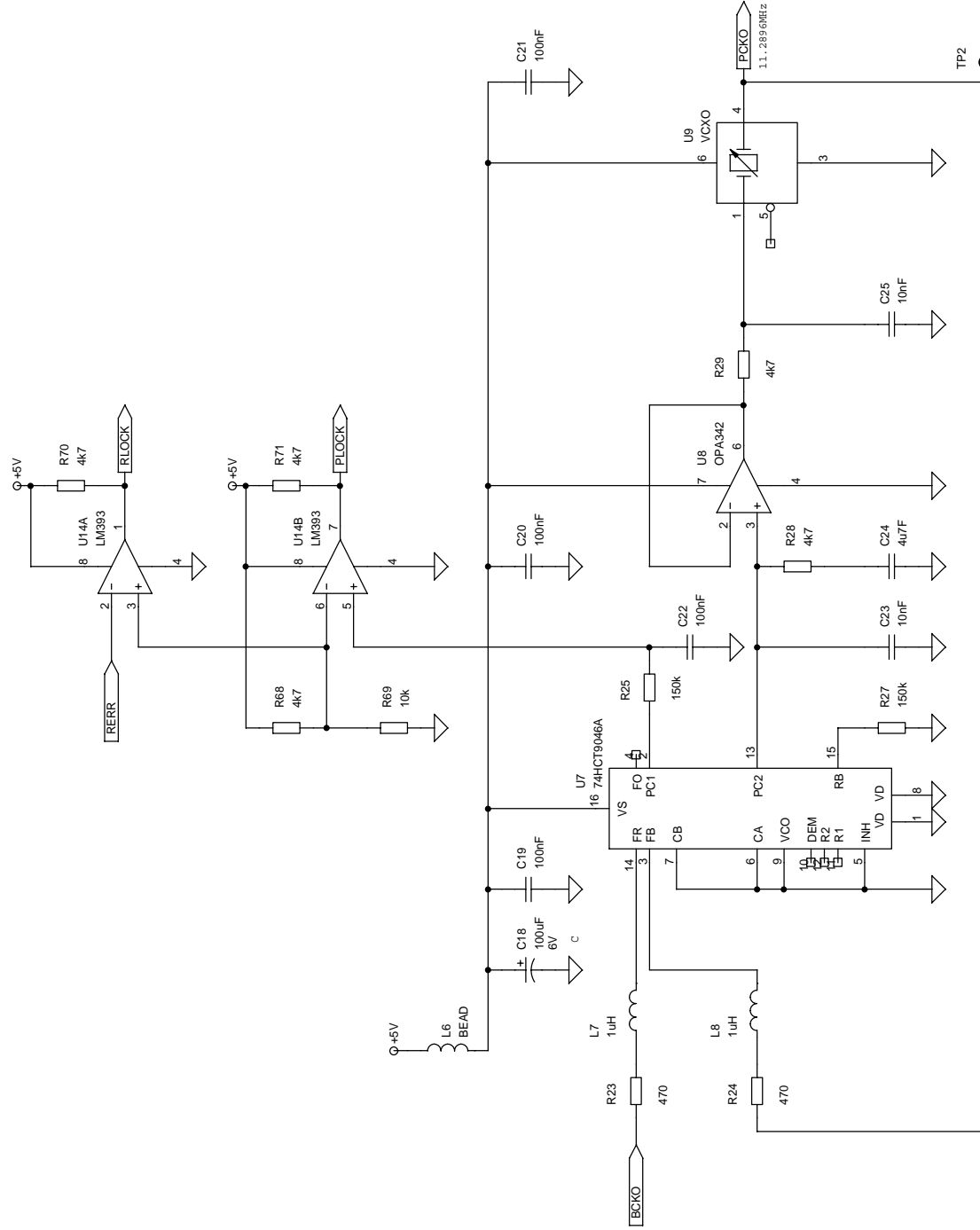


Hagerman Technology LLC
P.O. Box 26487
Honolulu, HI 96825

Title: **Constructor: HagDac RX & DF**
Size: Document Number
na
Date: Thursday, August 25, 2005 Sheet 2 of 4

Rev C

This document contains proprietary information and except with written permission of Hagerman Technology LLC such information shall not be published, or disclosed to others, or used for any purpose, and the document shall not be copied in whole or in part. Copyright Hagerman Technology LLC 2005. All rights reserved.



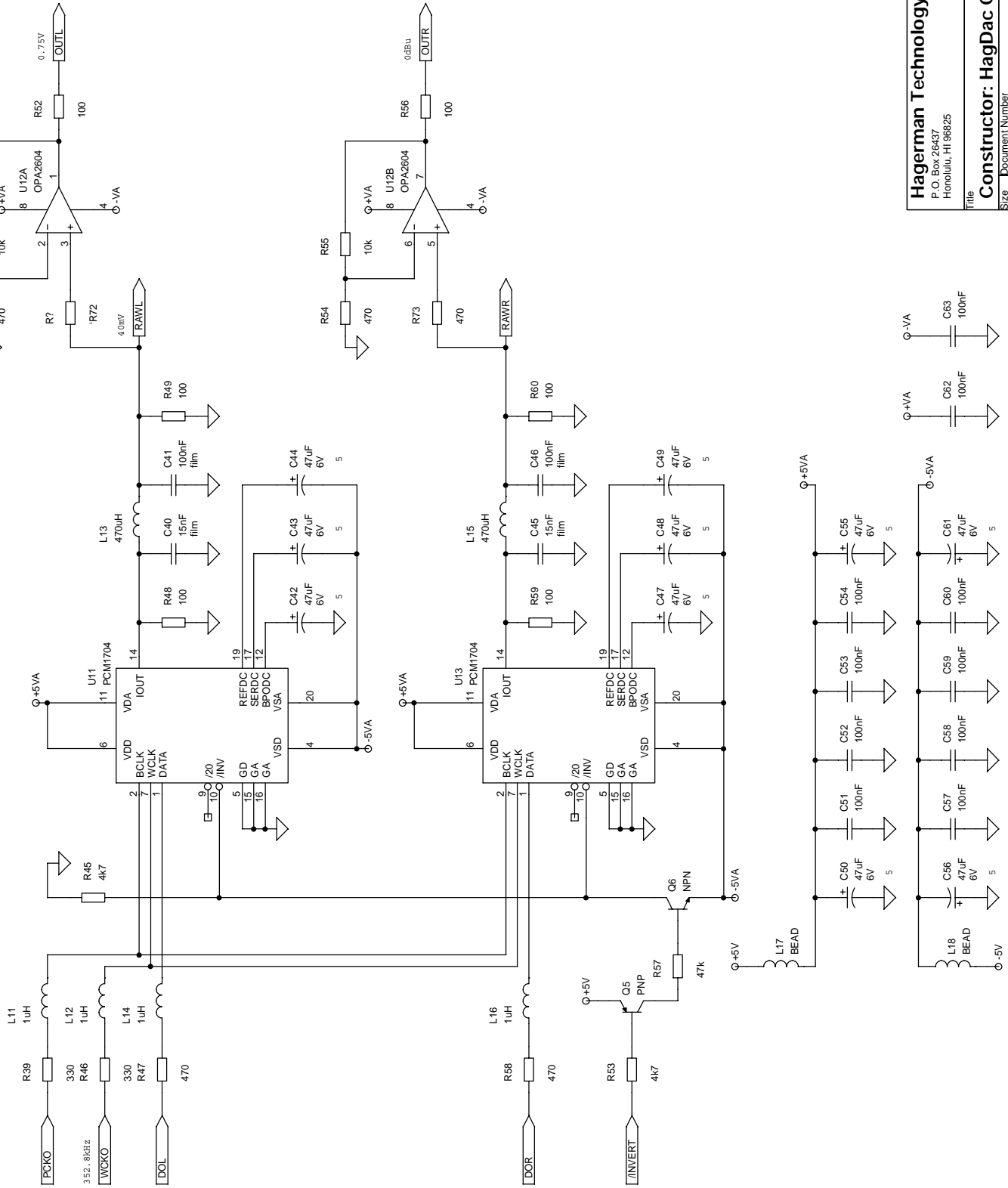
Hagerman Technology LLC
P.O. Box 26487
Honolulu, HI 96825

Constructor: HagDac PLL

Title: _____
Size: _____ Document Number: n/a
Date: Thursday, August 25, 2005 Sheet 3 of 4

Rev C

This document contains proprietary information and except with written permission of Hagerman Technology LLC such information shall not be published, or disclosed to others, or used for any purpose, and the document shall not be copied in whole or in part. Copyright Hagerman Technology LLC 2005. All rights reserved.



Hagerman Technology LLC

P.O. Box 26487
Hondoluli, HI 96025

Title
Construtor: HagDac Converter & Filter

Size Document Number
na

Rev
C

Date: Thursday, August 25, 2005 Sheet 4 of 4