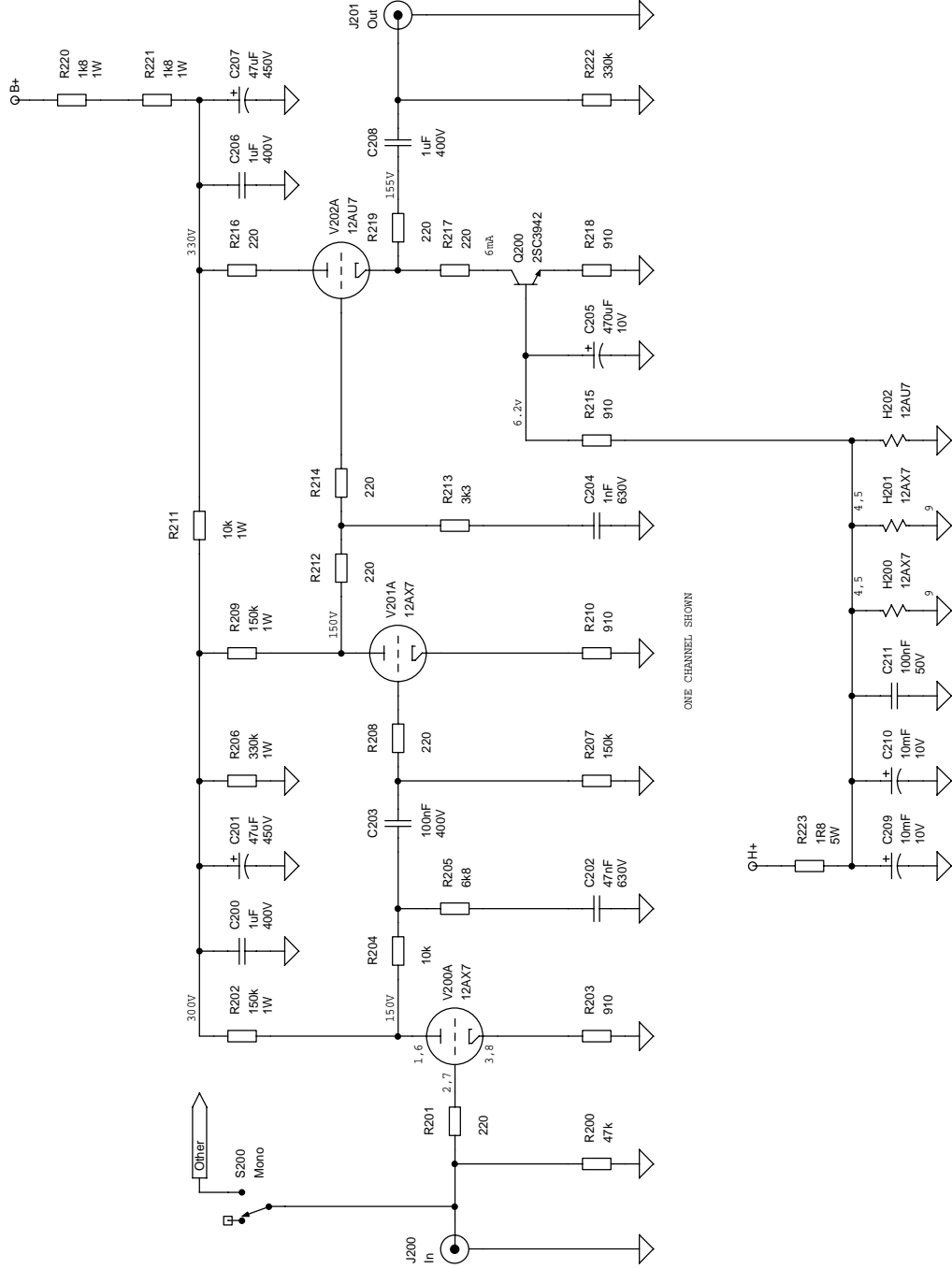


This document contains proprietary information and except with written permission of Hagerman Technology LLC such information shall not be published, or disclosed to others, or used for any purpose, and the document shall not be copied in whole or in part. Copyright Hagerman Technology LLC 2004. All rights reserved.



ONE CHANNEL SHOWN

Hagerman Technology LLC
 P.O. Box 26467
 Honolulu, HI 96825

Title		Constructor: Cornet Phonostage	
Size	Document Number	na	
Rev	Date	Wednesday, March 03, 2004	Sheet 0 of 3