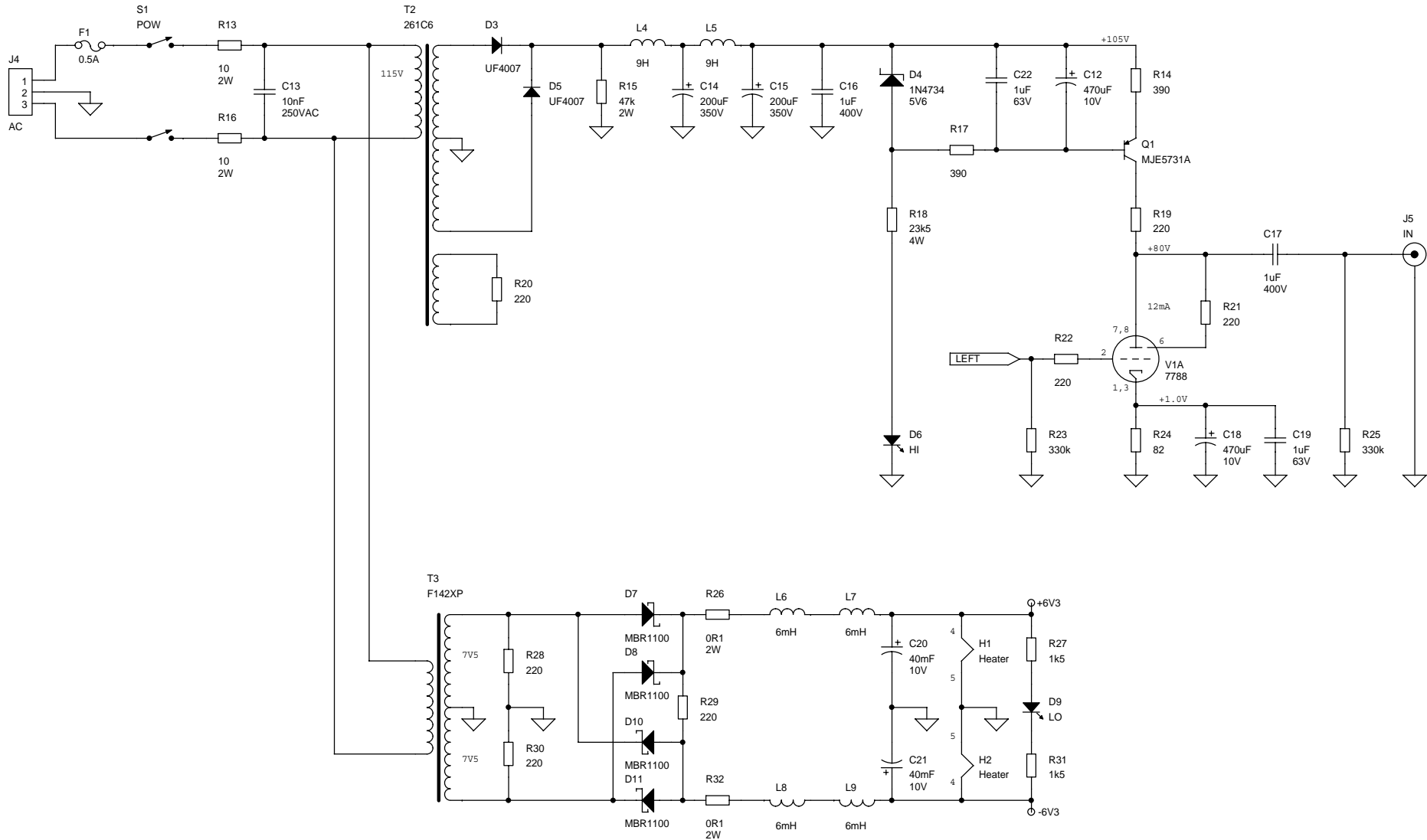


This document contains proprietary information and except with written permission of Hagerman Technology LLC such information shall not be published, or disclosed to others, or used for any purpose, and the document shall not be copied in whole or in part. Copyright Hagerman Technology LLC 2007. All rights reserved.

| | | |
|--------------------------------------|----------------------------|--------------|
| Hagerman Technology LLC | | |
| P.O. Box 26437 Honolulu, HI 96825 | | |
| Title DA-10: USB DAC | | |
| Size | Document Number | Rev |
| | n/a | B |
| Date: | Thursday, January 24, 2008 | Sheet 1 of 2 |



This document contains proprietary information and except with written permission of Hagerman Technology LLC such information shall not be published, or disclosed to others, or used for any purpose, and the document shall not be copied in whole or in part. Copyright Hagerman Technology LLC 2007. All rights reserved.

Hagerman Technology LLC

P.O. Box 26437
Honolulu, HI 96825

Title

DA-10: POWER

Size Document Number

n/a

Rev

B

Date: Thursday, January 24, 2008

Sheet 2 of 2