

R1	R8	R18	C6	R25
49r9	22r1	4k53	0n	681
100	150	3k65	22n	499
221	499	2k43	47n	332
499	1k00	1k82	62n	221
1k00	2k21	1k43	75n	150
49k9	4k99	1k00	100n	100

This document contains proprietary information and except with written permission of Hagerman Technology LLC such information shall not be published, or disclosed to others, or used for any purpose, and the document shall not be copied in whole or in part. Copyright Hagerman Technology LLC 2008. All rights reserved.

Hagerman Technology LLC

P.O. Box 26437
Honolulu, HI 96825

Title

FLUGELHORN: Phono

Size Document Number

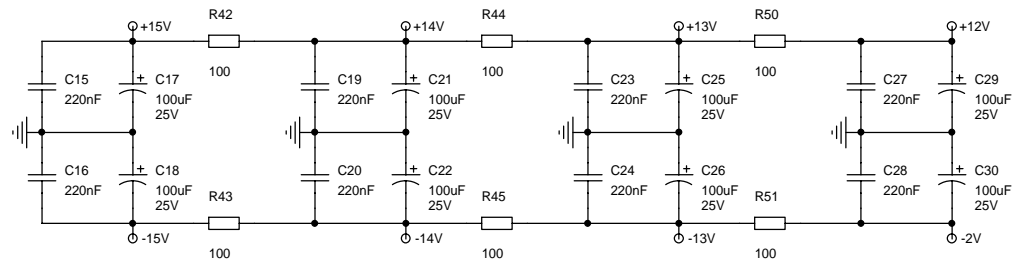
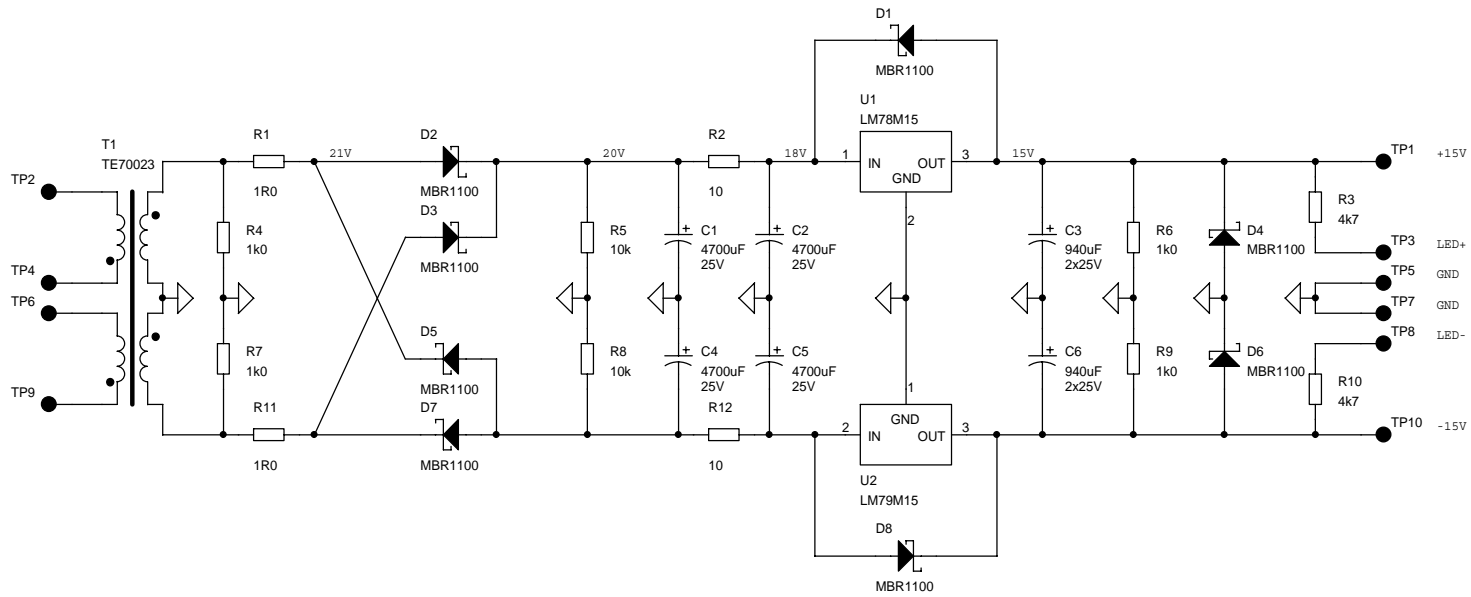
n/a

Rev

A

Date: Thursday, April 24, 2008

Sheet 1 of 1



This document contains proprietary information and except with written permission of Hagerman Technology LLC such information shall not be published, or disclosed to others, or used for any purpose, and the document shall not be copied in whole or in part. Copyright Hagerman Technology LLC 2008. All rights reserved.

Hagerman Technology

P.O. Box 26437
Honolulu, HI 96825

Title

FLUGELHORN: Power

Size Document Number

n/a

Rev

A

Date: Thursday, April 24, 2008

Sheet 0 of 1