

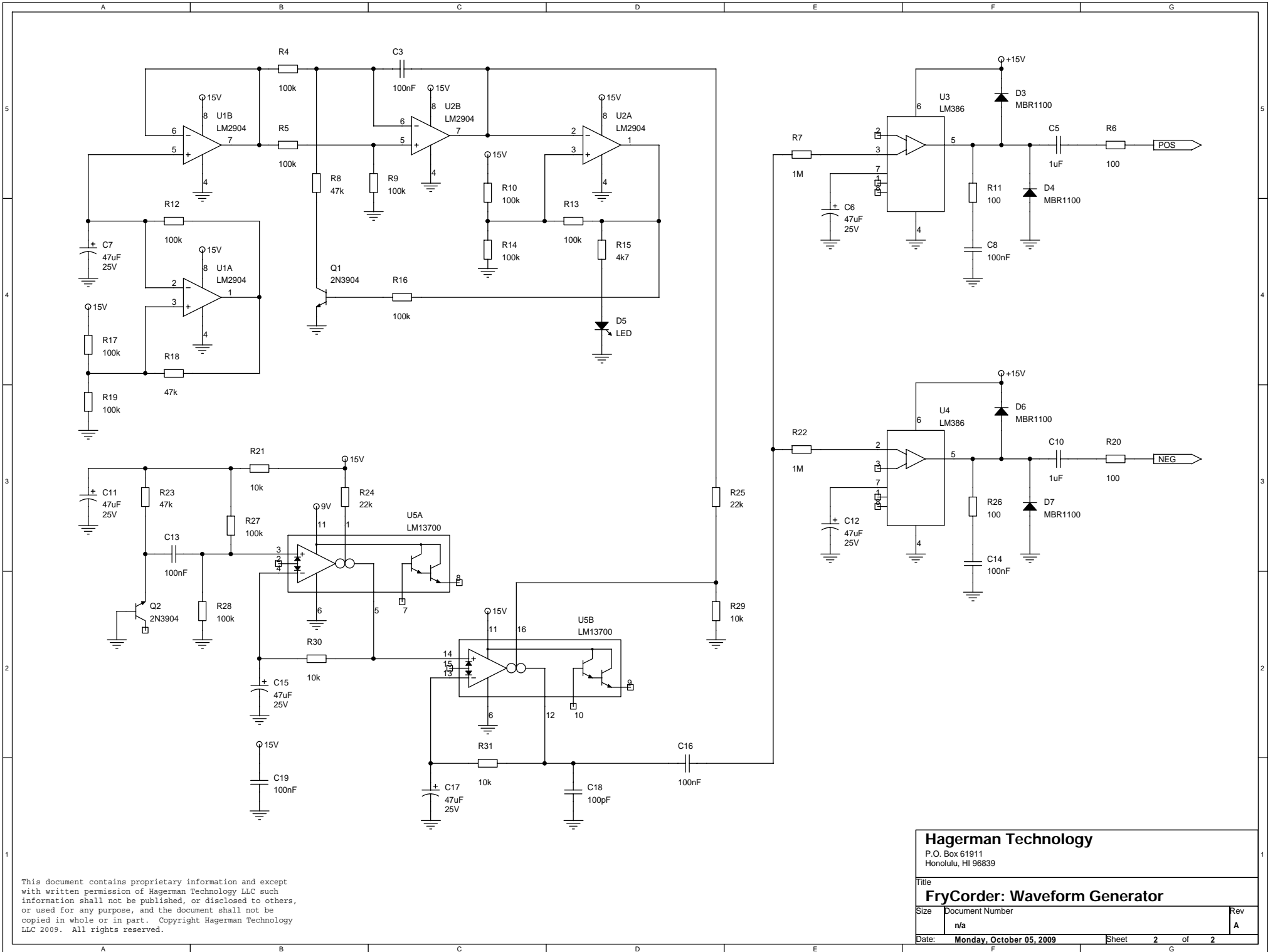
This document contains proprietary information and except with written permission of Hagerman Technology LLC such information shall not be published, or disclosed to others, or used for any purpose, and the document shall not be copied in whole or in part. Copyright Hagerman Technology LLC 2009. All rights reserved.

Hagerman Technology

P.O. Box 61911
Honolulu, HI 96839

Title FryCorder: Power Supply

Size	Document Number	Rev
	n/a	A
Date:	Monday, October 05, 2009	Sheet 1 of 2



This document contains proprietary information and except with written permission of Hagerman Technology LLC such information shall not be published, or disclosed to others, or used for any purpose, and the document shall not be copied in whole or in part. Copyright Hagerman Technology LLC 2009. All rights reserved.

Hagerman Technology P.O. Box 61911 Honolulu, HI 96839		
Title FryCorder: Waveform Generator		
Size	Document Number	Rev
	n/a	A
Date:	Monday, October 05, 2009	Sheet 2 of 2