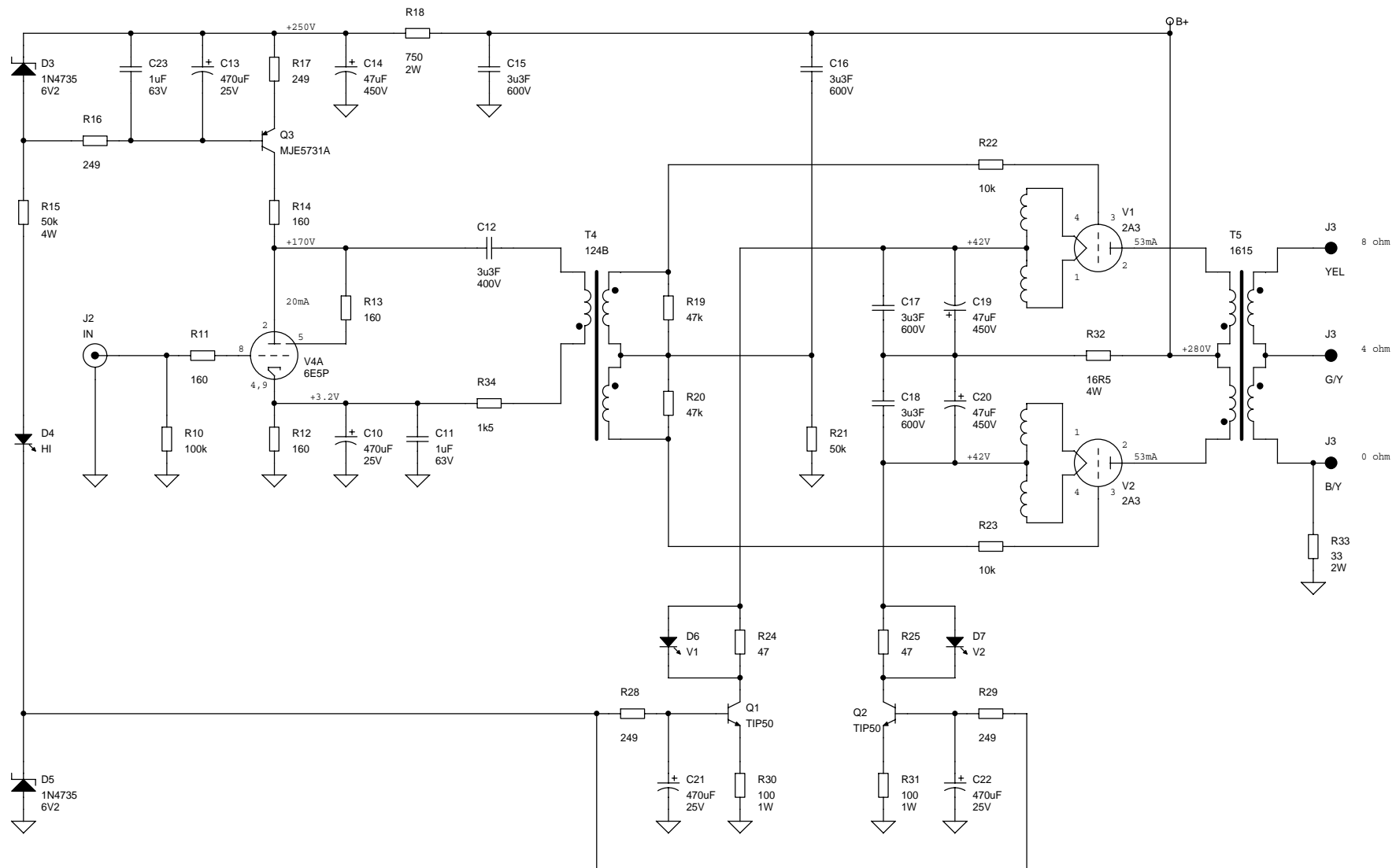


This document contains proprietary information and except with written permission of Hagerman Technology LLC such information shall not be published, or disclosed to others, or used for any purpose, and the document shall not be copied in whole or in part. Copyright Hagerman Technology LLC 2008. All rights reserved.

Hagerman Technology LLC		
P.O. Box 26437 Honolulu, HI 96825		
Title		
PA-10: Power Supply		
Size	Document Number	Rev
	n/a	C
Date:	Thursday, April 24, 2008	Sheet 0 of 2



This document contains proprietary information and except with written permission of Hagerman Technology LLC such information shall not be published, or disclosed to others, or used for any purpose, and the document shall not be copied in whole or in part. Copyright Hagerman Technology LLC 2008. All rights reserved.

Hagerman Technology LLC		
P.O. Box 26437 Honolulu, HI 96825		
Title PA10: Amplifier		
Size	Document Number	Rev
	n/a	C
Date:	Thursday, April 24, 2008	Sheet 0 of 2